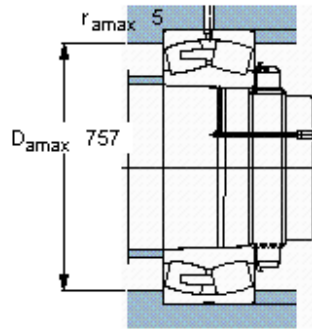
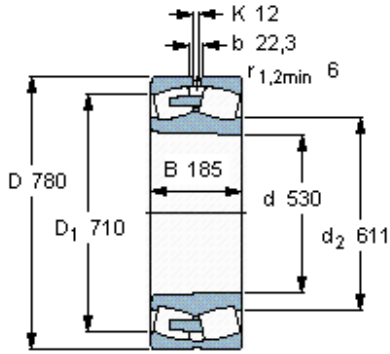


Spherical roller bearings, cylindrical and tapered bore

| Principal dimensions | | | Basic load ratings | | Speed ratings | Limiting speed | Designation |
|----------------------|-----|-----|--------------------|--------------|-----------------|----------------|-------------------------------|
| d | D | B | dynamic C | static C0 | Reference speed | | * SKF Explorer bearing |
| mm | | | kN | | r/min | | - |
| 530 | 780 | 185 | 5267 | 9300 | 450 | 800 | 230/530 CAK/W33 * |



Tapered bore, taper
1: 12

Calculation factors

- e 0,22
- Y_1 3
- Y_2 4,6
- Y_0 2,8